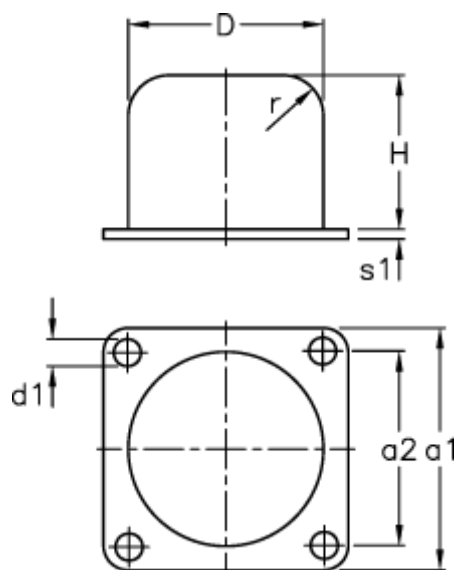


Article number: 51803383000010

Description: Vibration damper GP-QP 80x63
NR shore 57

Measures



$a1$	= 100	r	= 18.0
$a2$	= 80	$s1$	= 5
D	= 80		
$d1$	= 9.0		
H	= 63		
Load capacity F (kN)	= 60.0		
Load capacity f (mm)	= 35		
Load capacity W (J)	= 560		